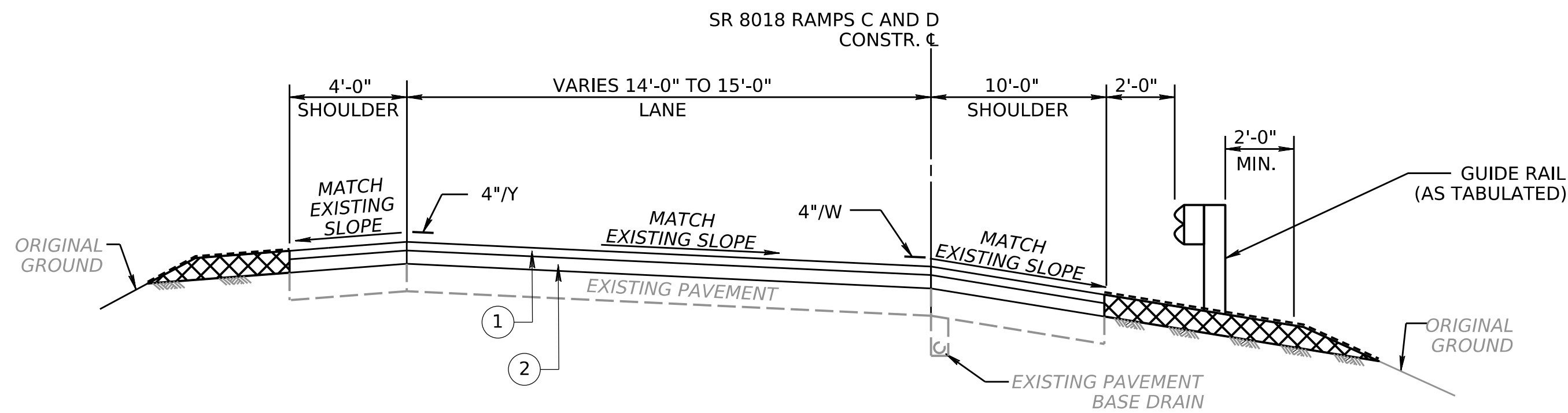


DISTRICT	COUNTY	ROUTE	SECTION	SHEET
09	CAMBRIA	0056	035	10 OF 67
STONYCREEK & RICHLAND TWPS., CITY OF JOHNSTOWN, DALE BORO.				
REV NO	REVISIONS	DATE	BY	APPD



TYPICAL OVERLAY ROADWAY SUPERELEVATED SECTION

SR 8018 RAMPS C AND D

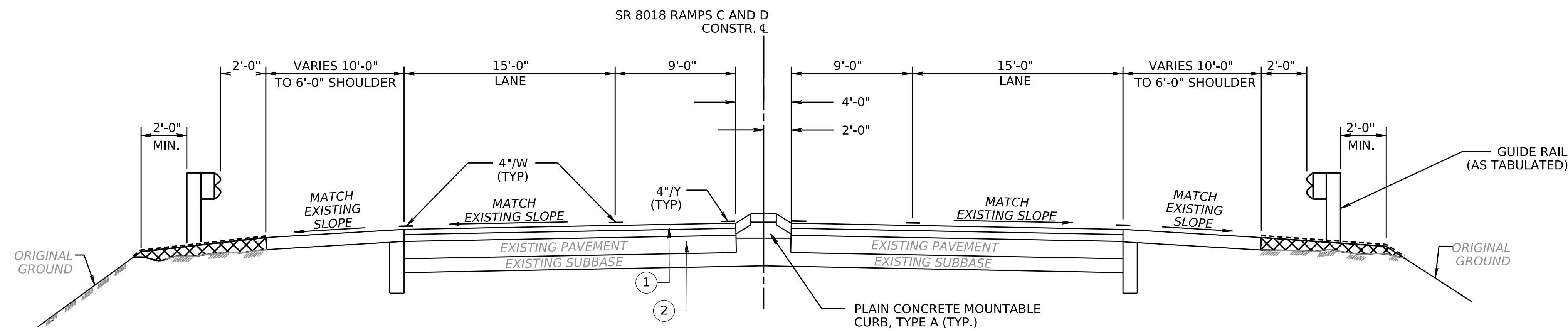
RAMP C - STA 181+30.60 TO STA 188+85.56
RAMP D - STA 181+19.06 TO STA 188+85.56
NO SCALE

LEGEND

- - BITUMINOUS PRIME COAT
- XXXX - SELECT GRANULAR MATERIAL (2RC)
- 4"/Y - 4" YELLOW PAINT LINE
- 4"/W - 4" WHITE PAINT LINE
- ① - SUPERPAVE ASPHALT MIXTURE DESIGN, WEARING COURSE, PG 64S-22, 0.3 MILLION TO < 3.0 MILLION ESALS, 9.5 MM MIX, 1 1/2" DEPTH, SRL-G
- ② - SUPERPAVE ASPHALT MIXTURE DESIGN, BINDER COURSE PG 64S-22, 0.3 TO < 3.0 MILLION ESALS, 19.0 MM MIX, 3" DEPTH

NOTES:

- PLACE ASPHALT TACK COAT BETWEEN EACH LAYER IN ACCORDANCE WITH PUB. 408 SEC. 460
- SEAL ALL LONGITUDINAL JOINTS WITH PG 64S-22 (INCIDENTAL TO WEARING COURSE)



TYPICAL OVERLAY ROADWAY TANGENT SECTION

SR 8018 RAMPS C AND D

STA 188+85.56 TO STA 194+60.08
NO SCALE

