



**MPMS# 114206**  
**PRELIMINARY PLAN**

SR 0741, SECTION 031  
 MCGOVERNVILLE RD &  
 ROHRERTOWN RD  
 MANHEIM TOWNSHIP  
 LANCASTER COUNTY



**SR 0741-031 Projected Timeline**

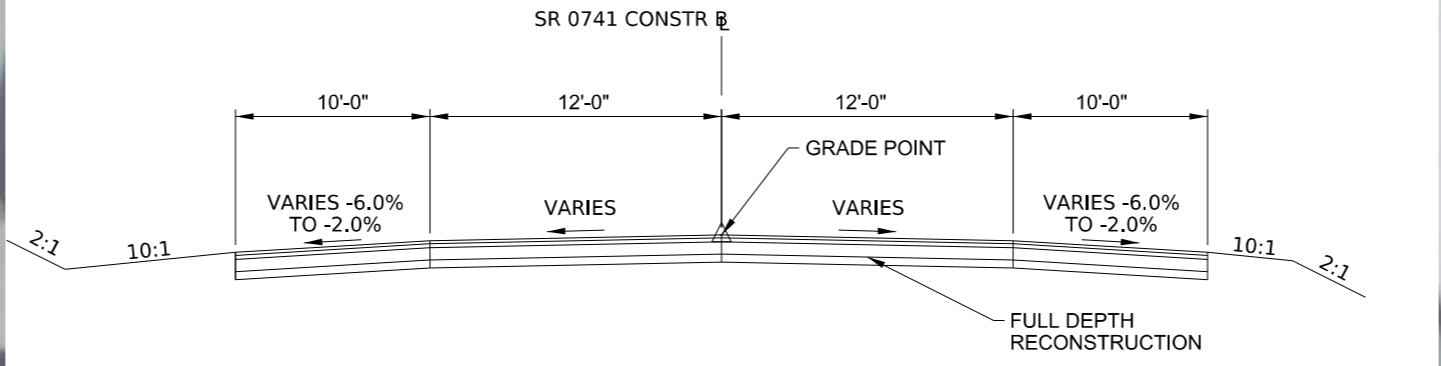
Environmental Clearance	Fall 2024
Final Design	2024 to 2026
Open Bids	Spring 2026
Construction	2026 to 2027

Estimated construction cost: \$4.3 M

**LEGEND**

- PROPOSED PAVING
- PROPOSED CONCRETE ISLAND
- PROPOSED CONCRETE CIRCLE
- PROPOSED TRUCK APRON
- EXISTING PAVEMENT REMOVAL
- 1 - PARCEL IDENTIFICATION

**SCALE**



**SR 0741 TYPICAL SECTION**  
 NOT TO SCALE