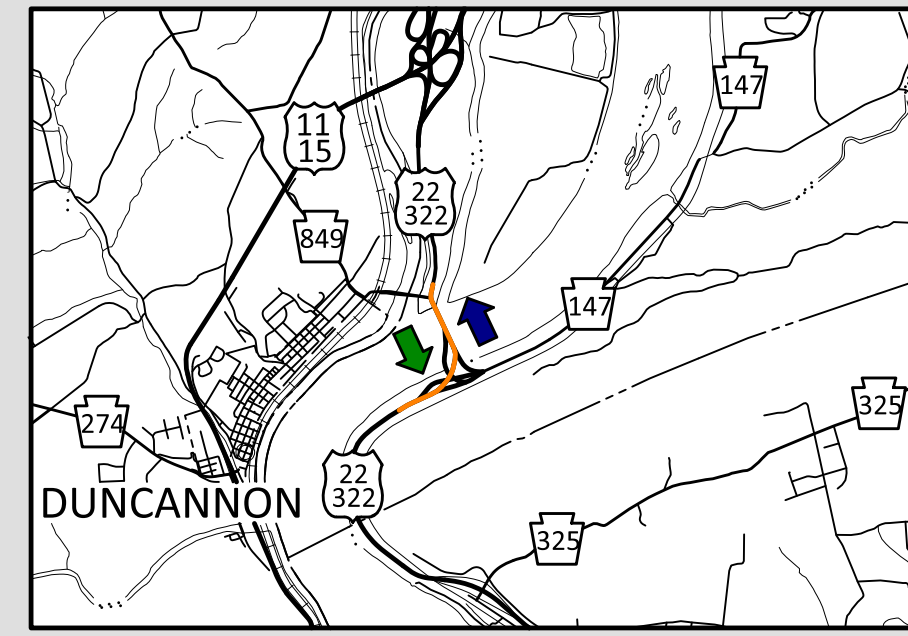


ROUTE 22/322 CLARK'S FERRY IMPROVEMENT PROJECT



Dauphin and Perry Counties

CLARK'S FERRY BRIDGE LONG-TERM TRAFFIC CONTROL PHASING

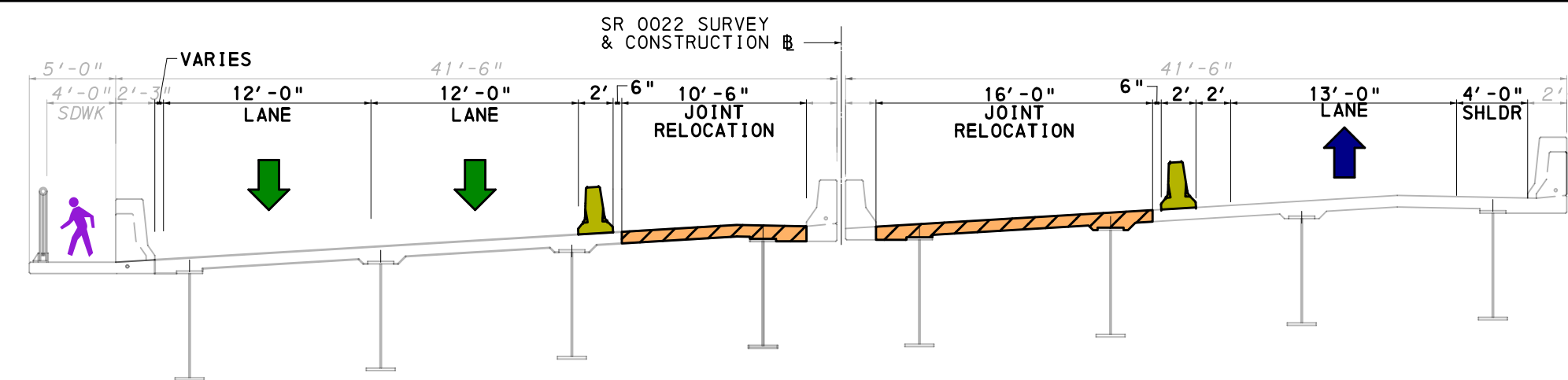
WORK COMPLETED

TYPICAL SECTION

TRAFFIC ACCOMMODATIONS

STAGE 1

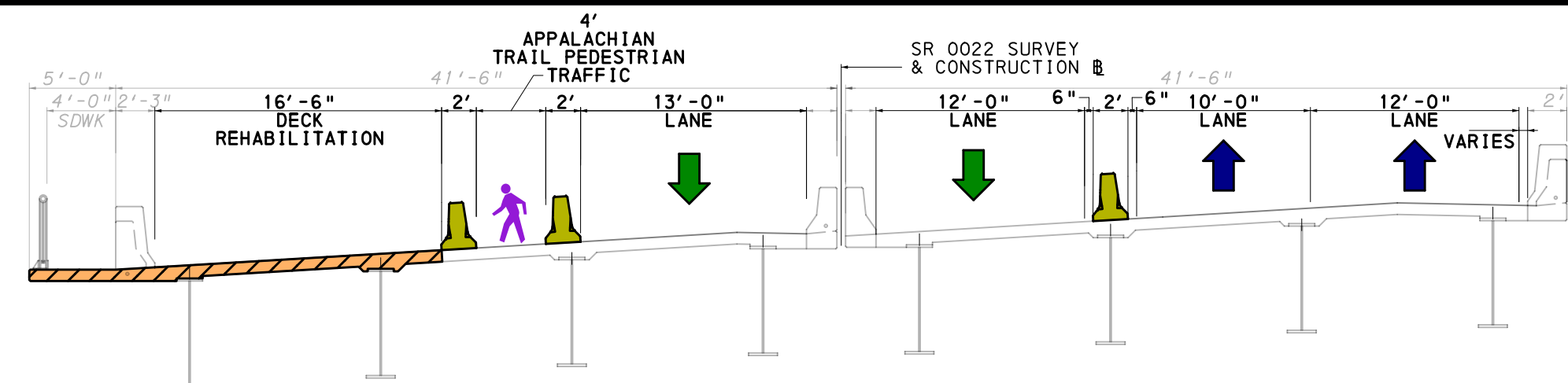
Relocate bridge joint in the area of PA 849



- Transportation Management Plan implemented due to 4 to 3 lane reduction
- Begin PA 849 left-in/left-out restrictions
- Detour Route 22/322 westbound to PA 849 movements

STAGE 2

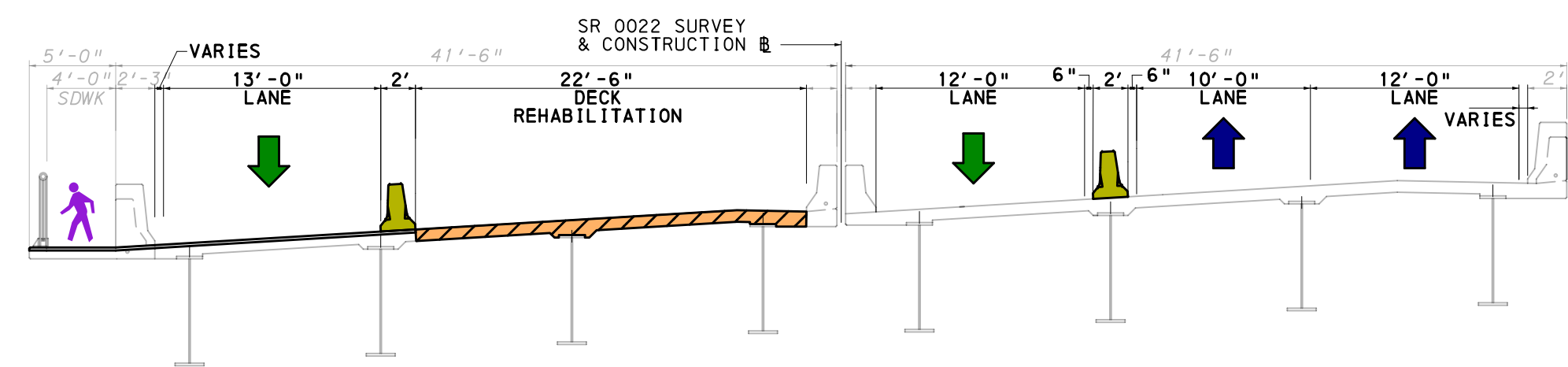
Eastbound outside lane and sidewalk rehabilitation



- Crossover Route 22/322 eastbound lane to westbound side
- Appalachian Trail Detour
- Detour Route 22/322 eastbound ramp to PA 147

STAGE 3

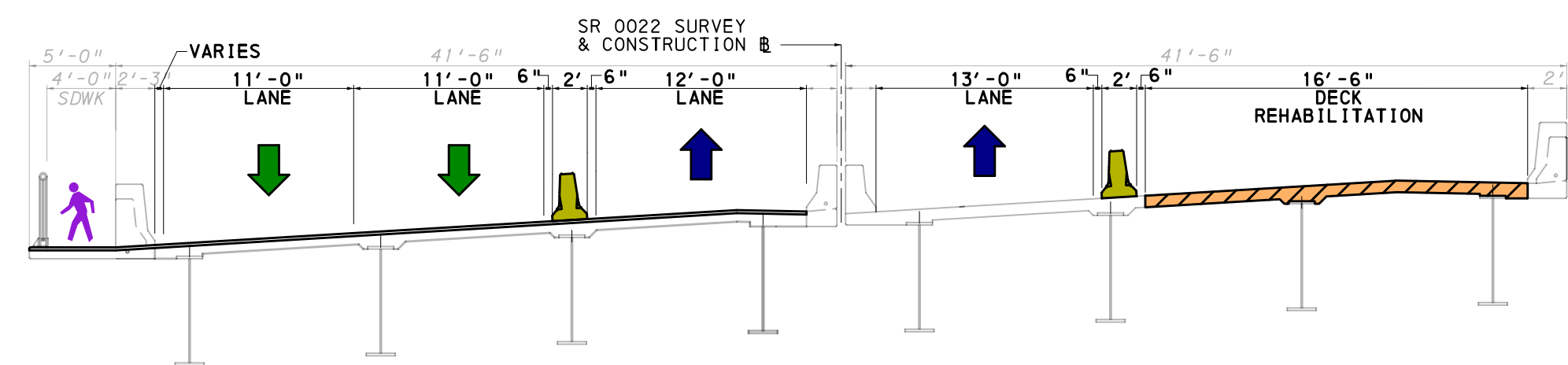
Eastbound inside lane rehabilitation



- Crossover Route 22/322 eastbound lane to westbound side

STAGE 4

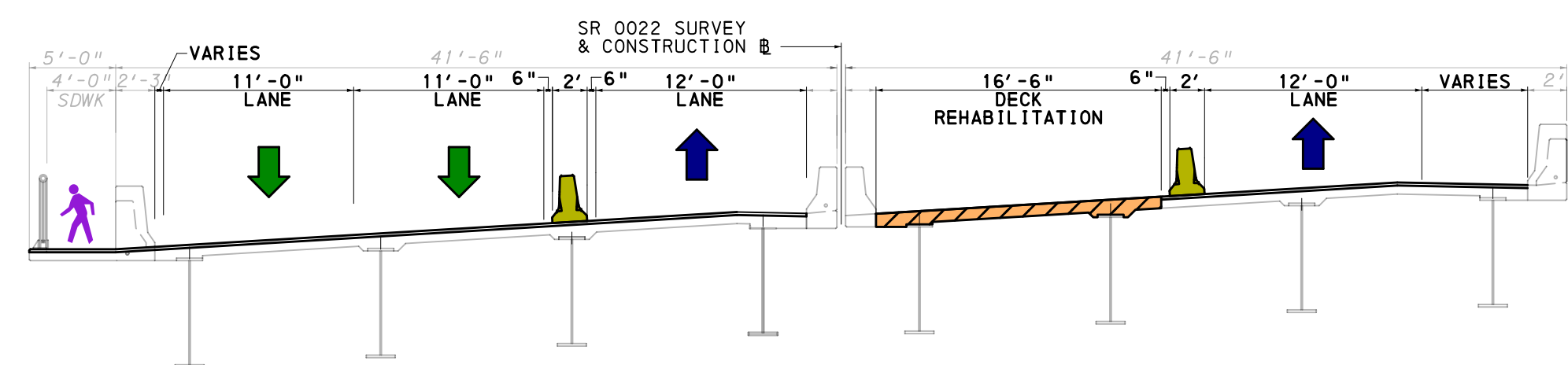
Westbound outside lane rehabilitation



- Crossover Route 22/322 westbound lane to eastbound side
- Detour Route 22/322 westbound ramp from PA 147

STAGE 5

Westbound inside lane rehabilitation



- Crossover Route 22/322 westbound lane to eastbound side



LEGEND

- WORK AREA
- EASTBOUND
- WESTBOUND
- TEMPORARY BARRIER
- PEDESTRIAN TRAFFIC