

# PENNDOT PROJECT INFORMATION



## TRUMBULL DRIVE BRIDGE REPLACEMENT PROJECT

TRUMBULL DRIVE BRIDGE over WHEELING & LAKE ERIE RAILROAD  
GREEN TREE BOROUGH, ALLEGHENY COUNTY



# PROJECT TEAM

- Design Division
  - Direct questions to:  
Dina Salemi, P.E., Design Services Engineer at 412-429-5079  
Engineering District 11-0  
45 Thoms Run Road  
Bridgeville, PA 15017  
or at [dsalemi@pa.gov](mailto:dsalemi@pa.gov)
    - Mark J. Young - District Environmental Manager
    - Robert Billick – Assistant Environmental Manager - NEPA
- Press Office
  - Steve Cowan - District Press Officer
- Borough of Green Tree
  - Judy Miller – Borough Manager
- Design Consultant – Gannett Fleming
  - Chris Vollmer – Project Manager

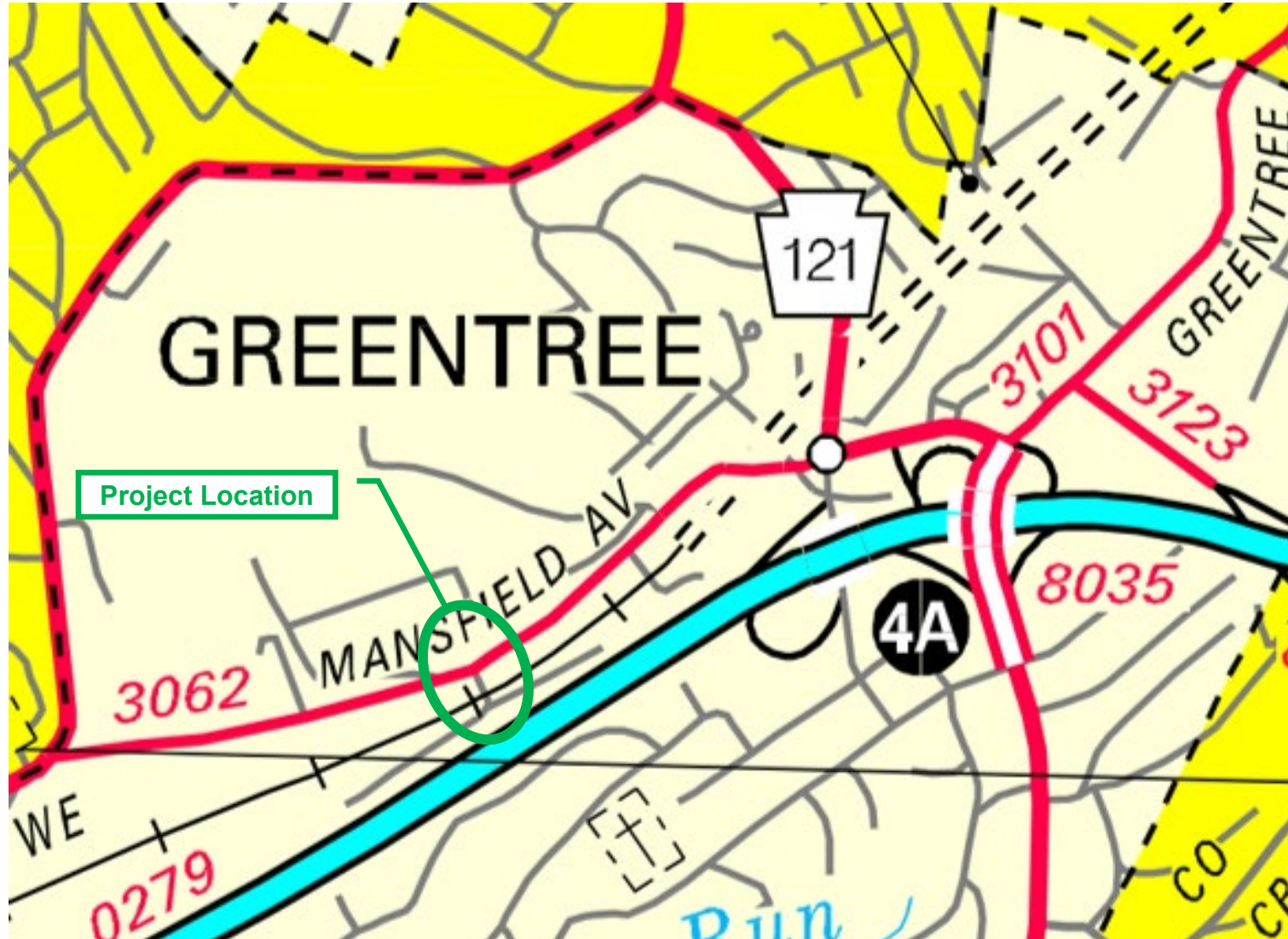


# PURPOSE OF PRESENTATION & PROJECT INFORMATION

- Trumbull Drive Bridge Project
  - The purpose of this presentation is to introduce the project to the public, gather feedback, and present the proposed design.
  - The purpose of the project is to maintain a reliable crossing over the Wheeling and Lake Erie Railroad and continued connection to the businesses.



# PROJECT LOCATION



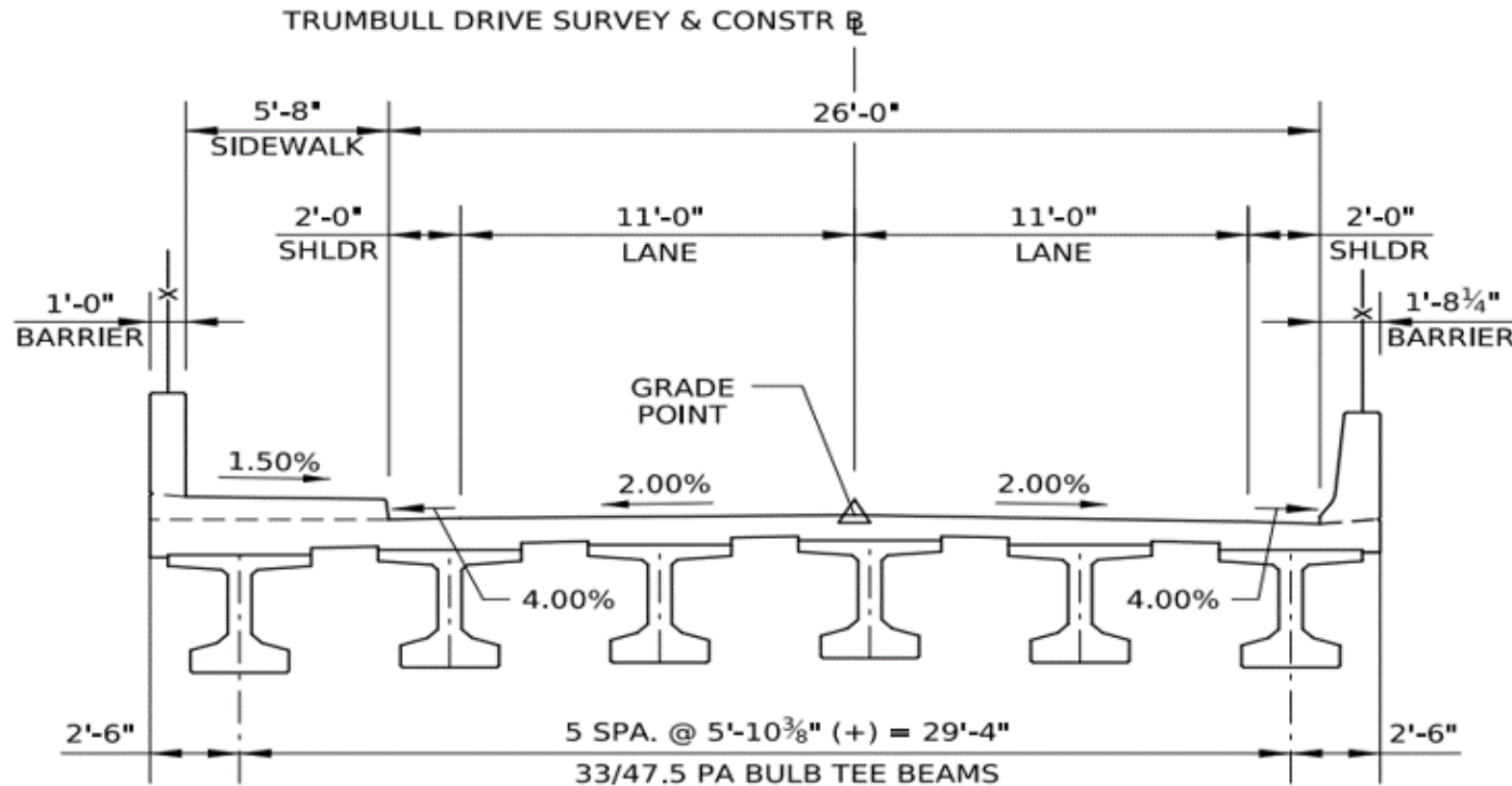
# PROPOSED PROJECT IMPROVEMENTS

- Proposed Structure Work
  - Replacing the existing steel through plate girder bridge superstructure with six (6) – prestressed concrete bulb-tee beams
  - Installing simple span structure with full height abutments supported by deep foundations
  - Installing new sidewalk protective fence
  - Relocating gas line from existing structure to proposed structure
- Other Proposed Work
  - Full depth pavement reconstruction of the pavement at the bridge approaches with the intersections of Mansfield Avenue and Hampton Inn Drive, ADA ramp replacement/installation on Trumbull Drive, drainage repairs, guide rail replacement and new pavement markings.
- Work will occur during daytime hours with beam erection and existing bridge demolition occurring during nighttime hours.
- Construction anticipated to begin 1st Quarter 2026 with anticipated completion in Summer 2027.



# PROPOSED PROJECT IMPROVEMENTS

UNOFFICIAL

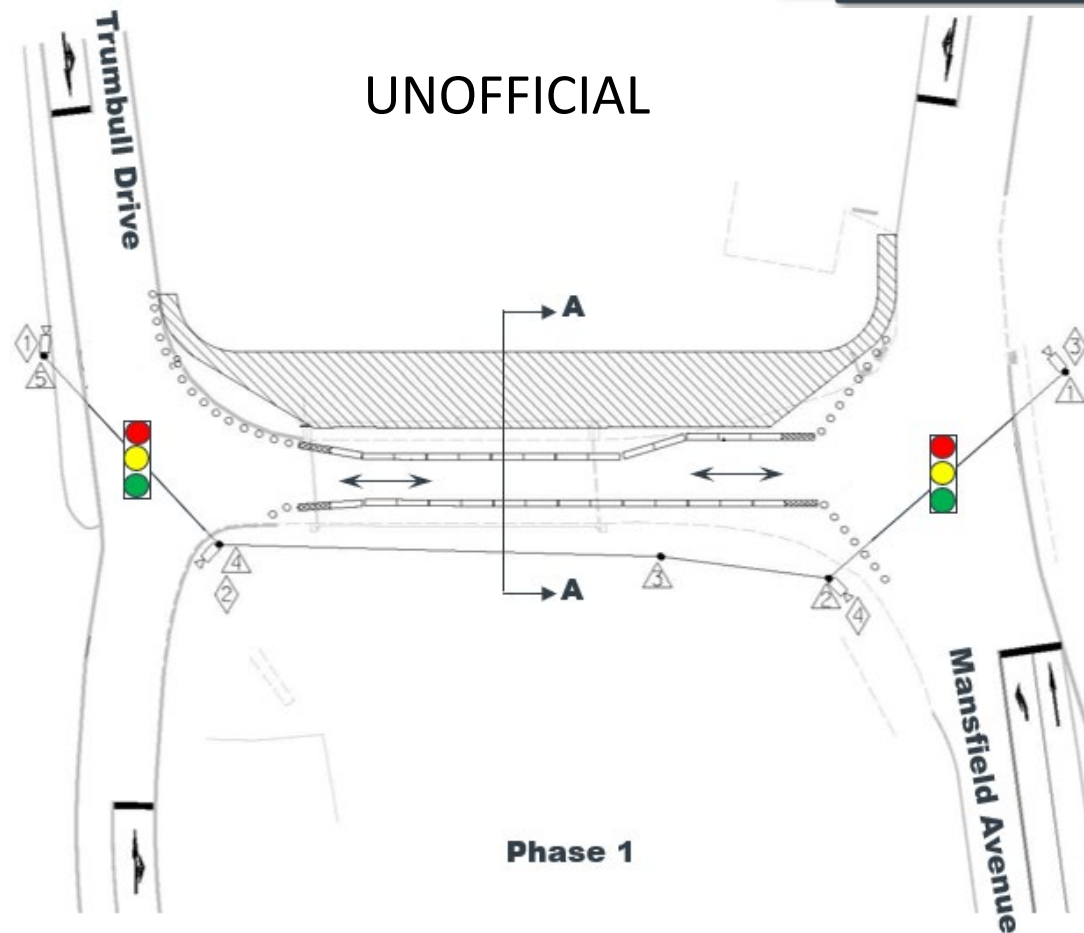
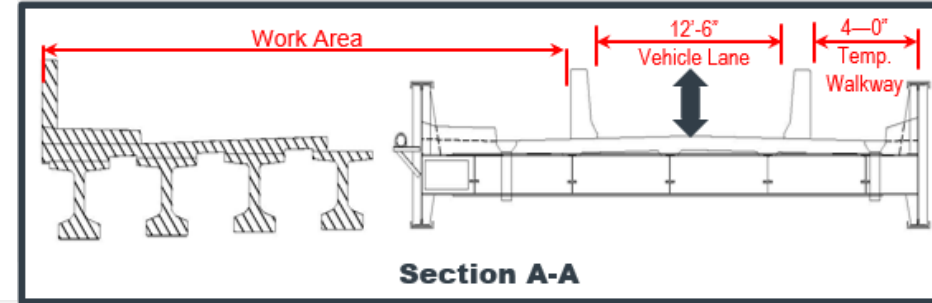


NEW BRIDGE TYPICAL SECTION



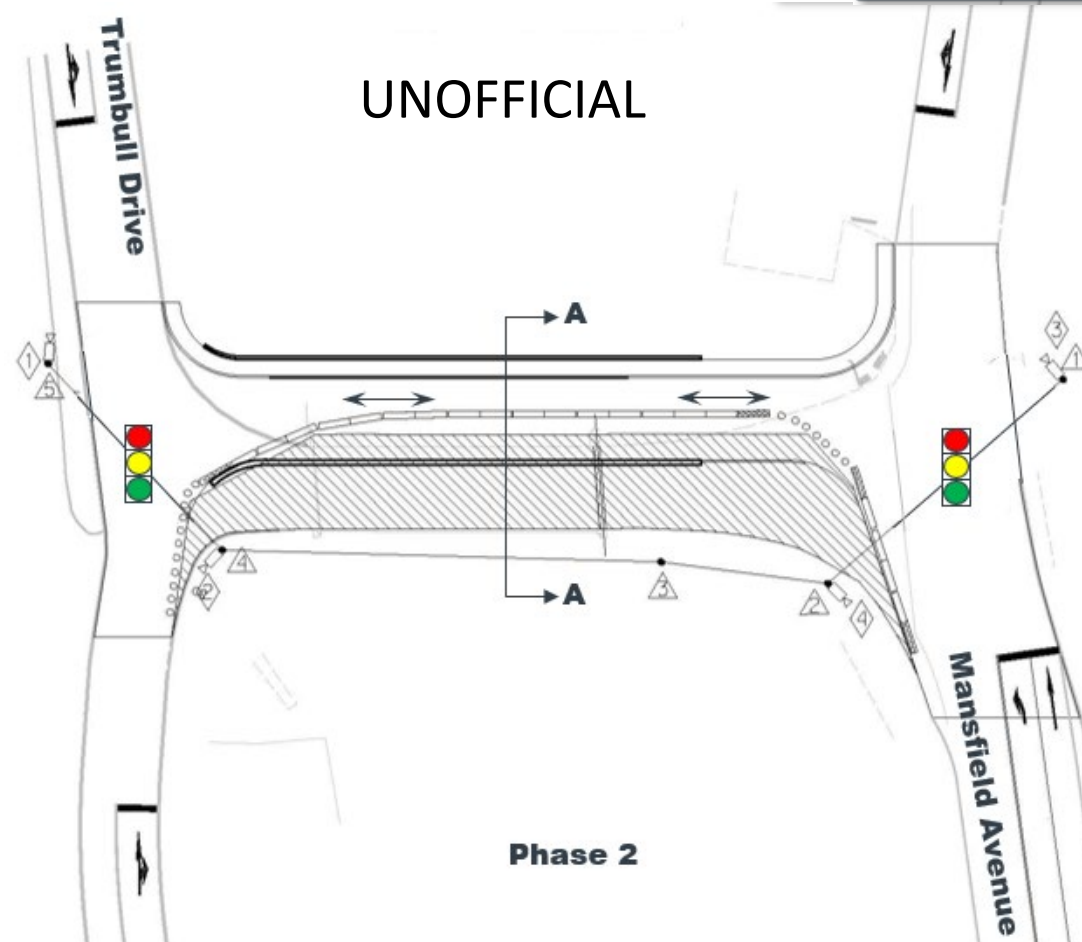
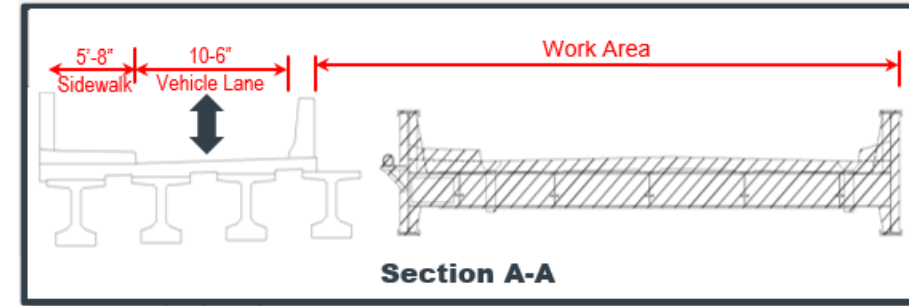
# PROPOSED TRAFFIC CONTROL

- Phase 1
  - Western half of the proposed bridge will be constructed adjacent to the existing bridge while a single lane of traffic is maintained across the existing bridge through the use of temporary signals.



# PROPOSED TRAFFIC CONTROL

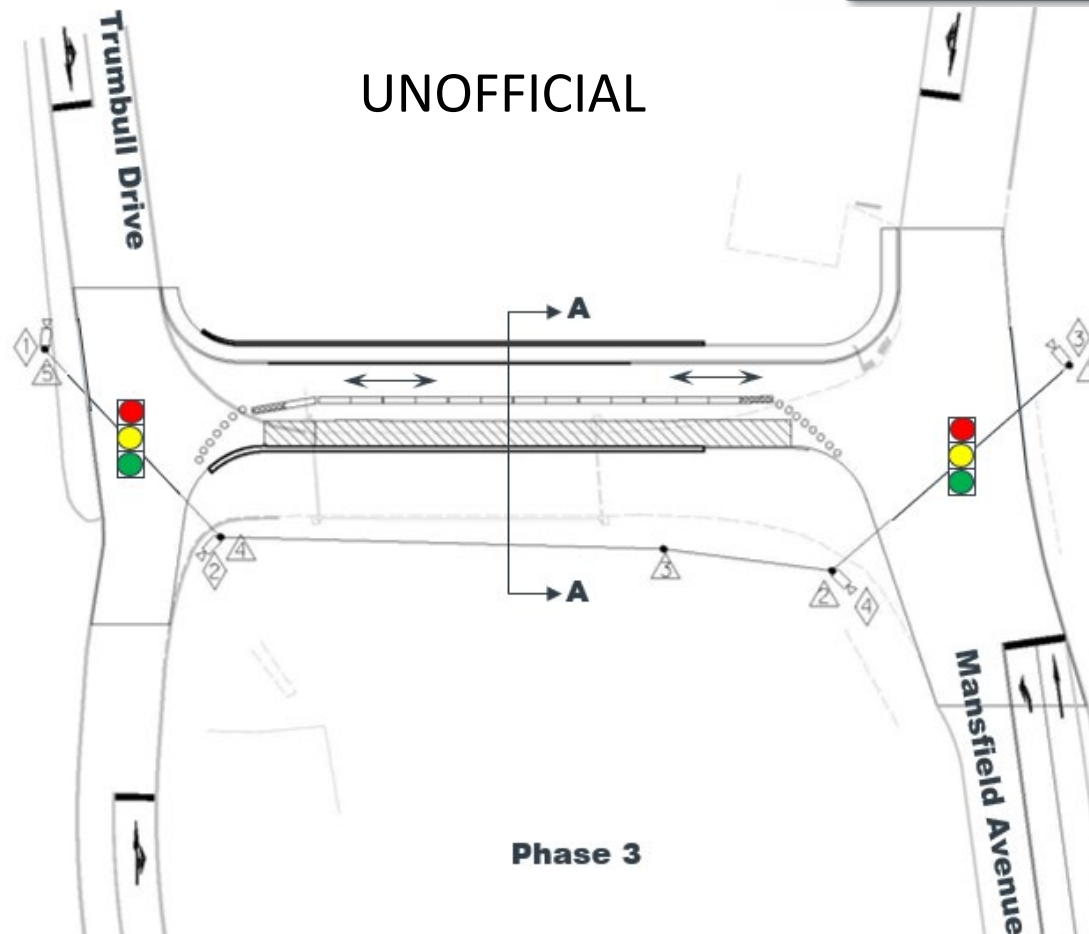
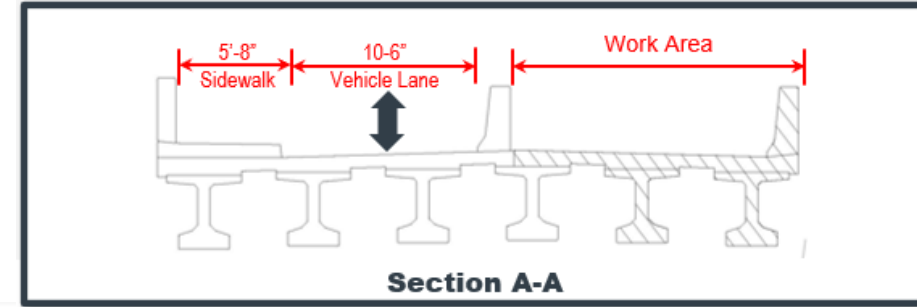
- Phase 2
  - Removal of the existing bridge while a single lane of traffic is maintained with temporary signals across the previously built section of the proposed bridge.





# PROPOSED TRAFFIC CONTROL

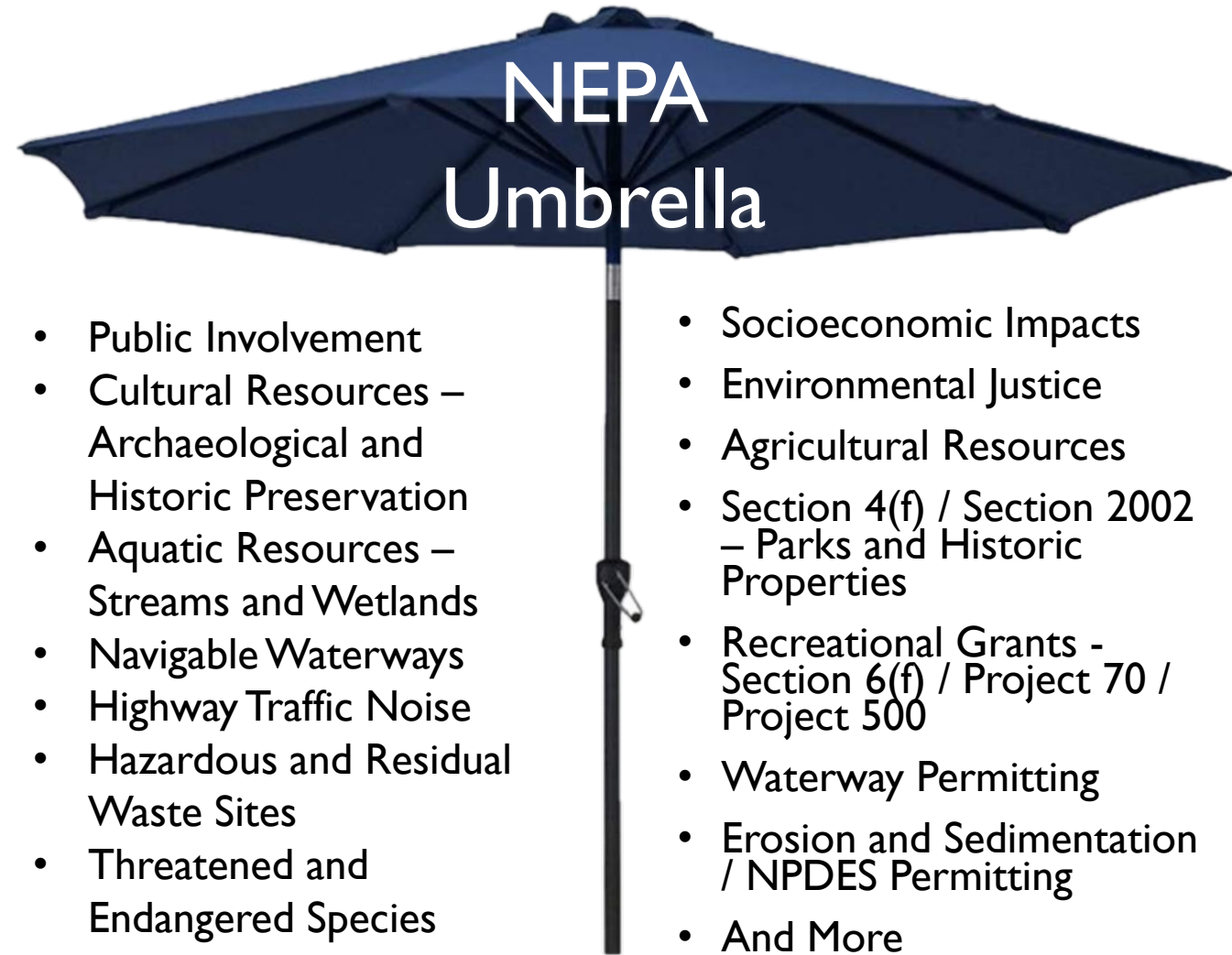
- Phase 3
  - Eastern half of the proposed bridge will be constructed with traffic being maintained as outlined for the Phase 2 traffic control pattern



# NATIONAL ENVIRONMENTAL POLICY ACT (NEPA)

Public outreach begins with PennDOT Connects and extends into the **NEPA** (National Environmental Policy Act) process:

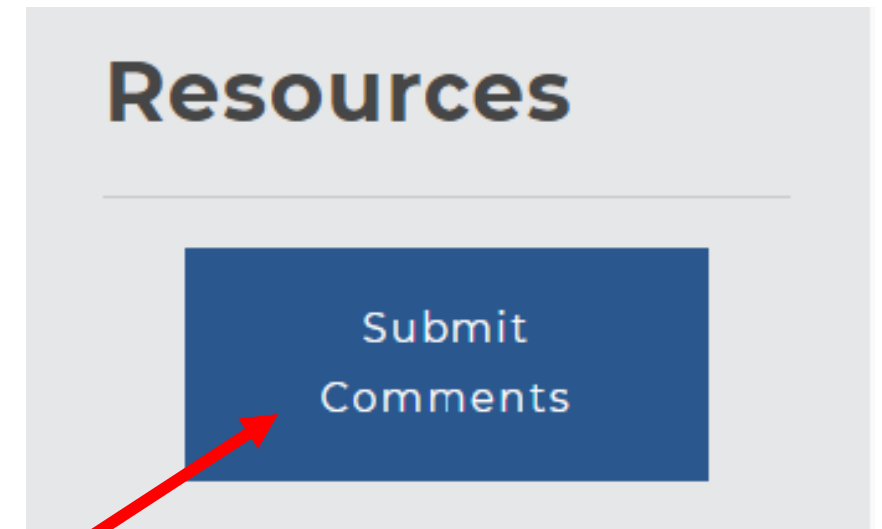
- PennDOT Connects is a project planning and development approach that engages local and planning partners by collaborating with stakeholders before project scopes are developed.
- NEPA requires agencies to integrate environmental values into their decision-making processes by considering the environmental impacts of their proposed actions and reasonable alternatives to those actions
- NEPA also includes public involvement activities and gathering feedback from the public
- This PowerPoint presentation is part of District I I-0's coordination with the public to obtain feedback on the project and to meet NEPA requirements.



# PROJECT SURVEY

## PLEASE COMPLETE THE PROJECT SURVEY

- The project survey can be found on the project website.
- Click the tile under Resources labeled “Submit Comments” on the right side of the screen.



Click Here

