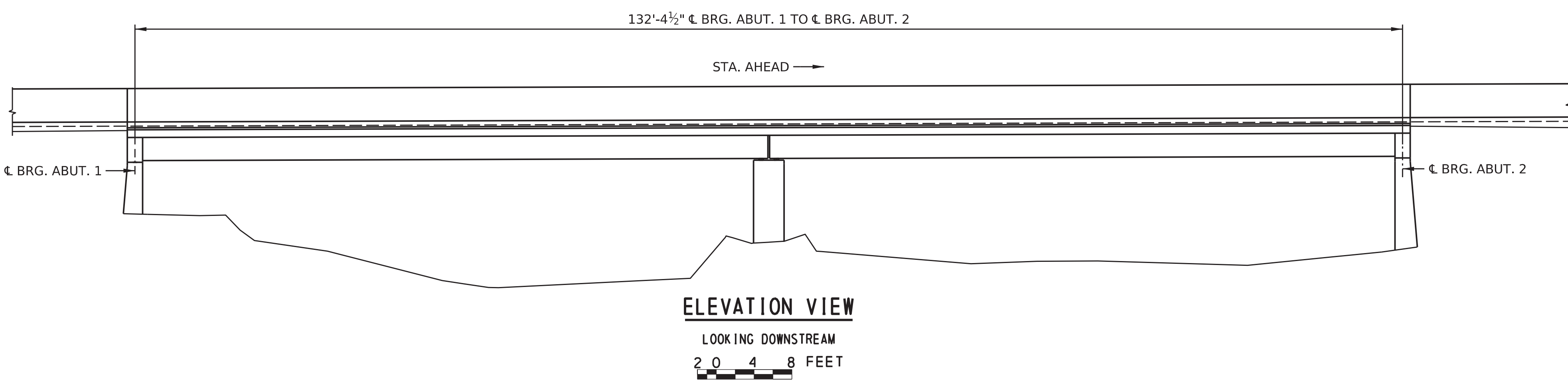
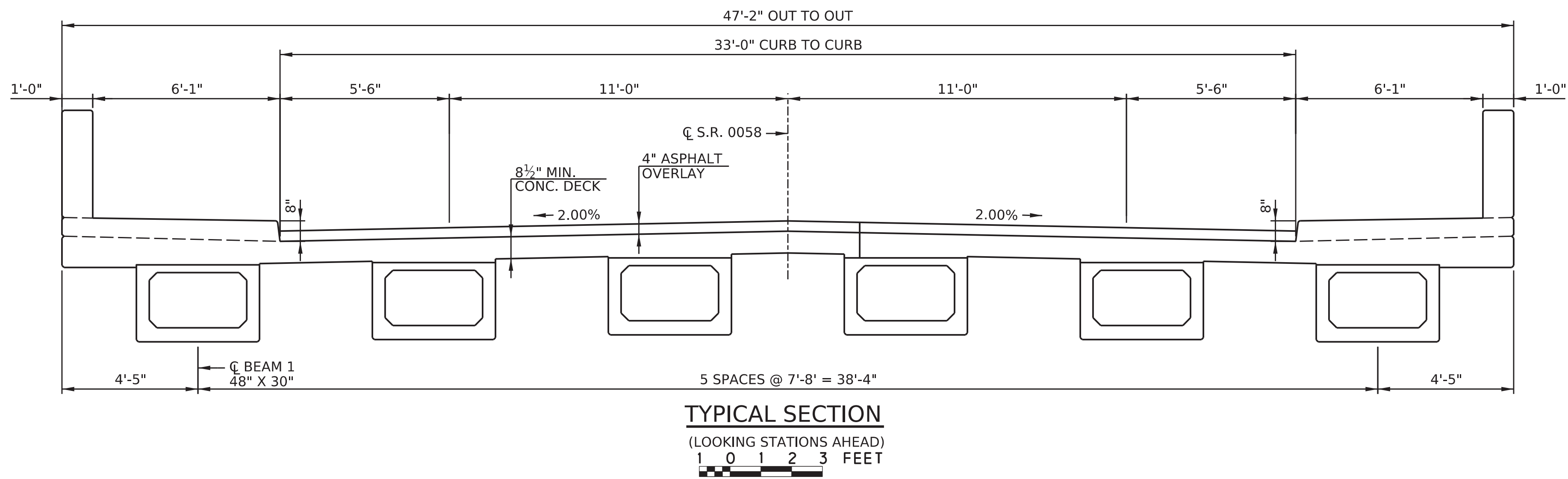


PRELIMINARY PLAN

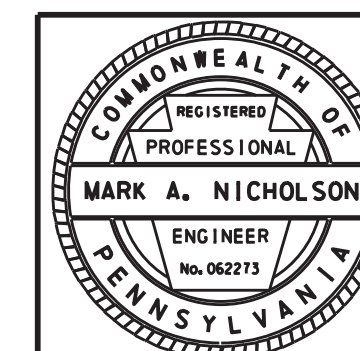


Mark	Description	By	Chk'd	Recm'd.	Date
REVISIONS					

S.R. 0058 PREVIOUSLY KNOWN AS L.R. 00073
BMS STR ID: 43-0058-0770-0115 MPMS/ECMS PROJ: 58003 BRKEY: 25680

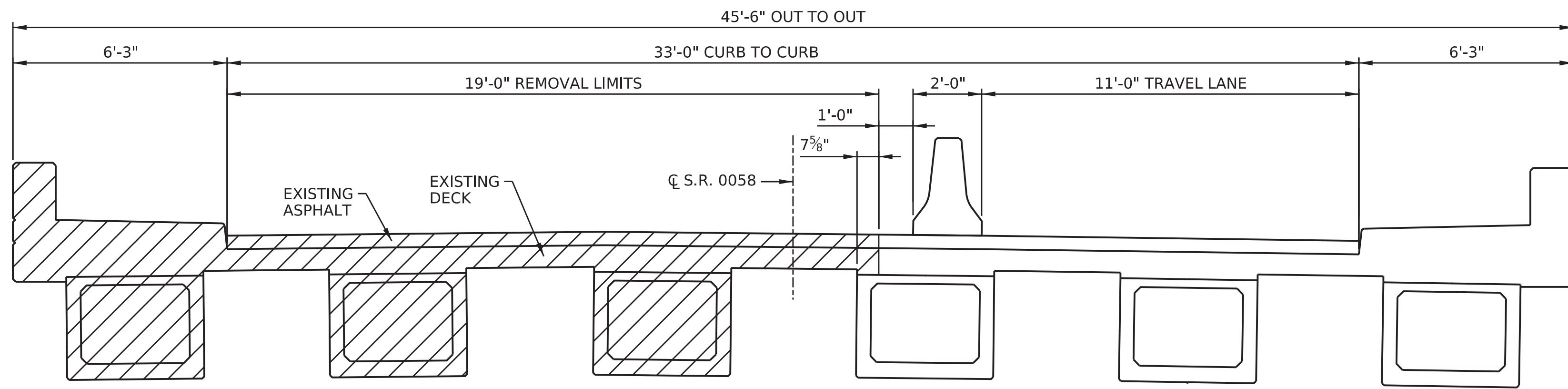
**COMMONWEALTH OF PENNSYLVANIA
DEPARTMENT OF TRANSPORTATION**

**MERCER COUNTY
S.R. 0058, SEC. B14
SEGMENT 0770, OFFSET 0115
STA. 166+27.62
OVER WOLF CREEK
SUPERSTRUCTURE REPLACEMENT
GENERAL PLAN**



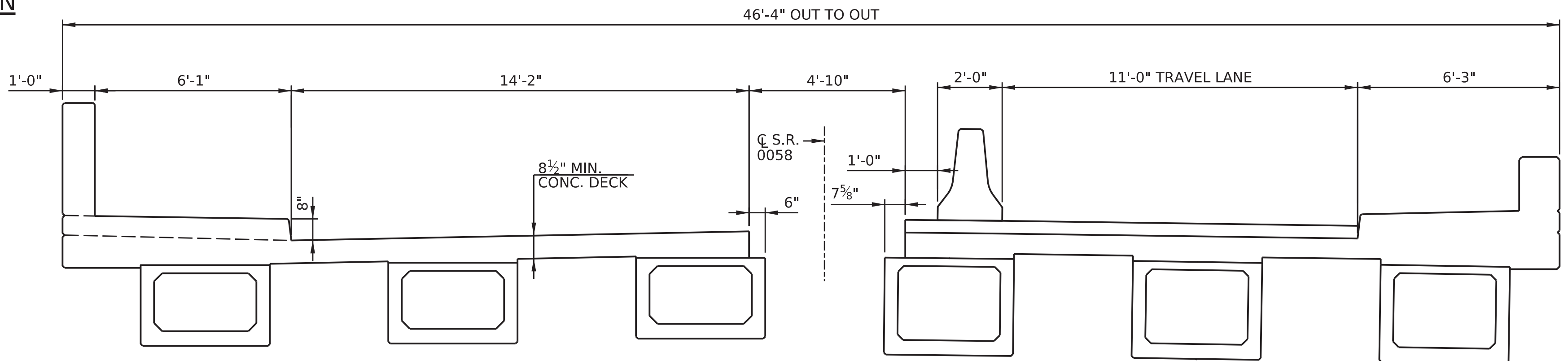
RECOMMENDED _____
BRIDGE ENGINEER

SHEET _____ OF _____
S -



PHASE A REMOVAL SECTION

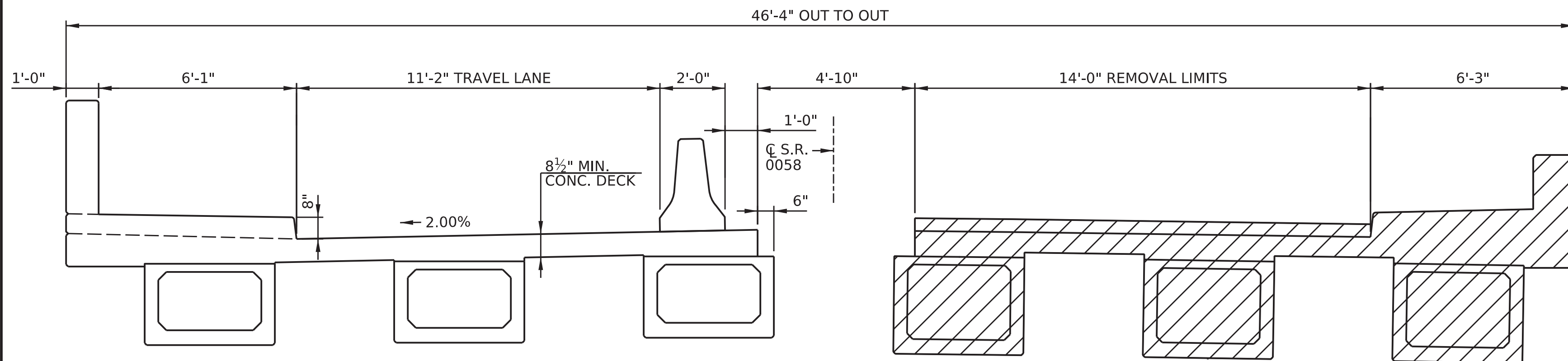
(LOOKING STATIONS AHEAD)
1 0 1 2 3 FEET



PHASE A CONSTRUCTION SECTION

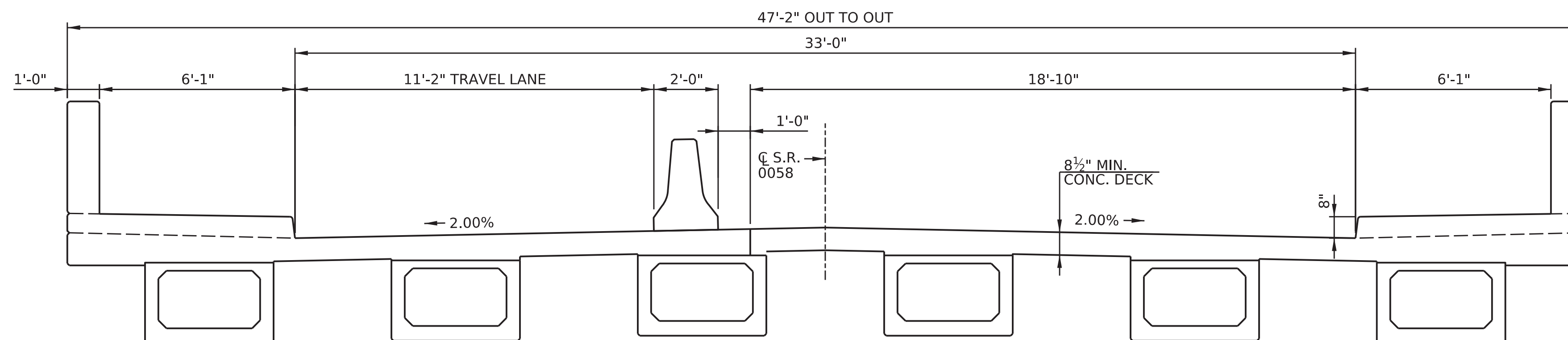
(LOOKING STATIONS AHEAD)
1 0 1 2 3 FEET

PRELIMINARY PLAN



PHASE B REMOVAL SECTION

(LOOKING STATIONS AHEAD)
1 0 1 2 3 FEET



PHASE B CONSTRUCTION

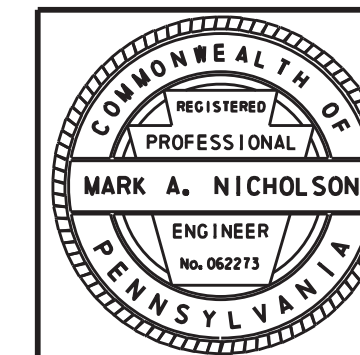
(LOOKING STATIONS AHEAD)
1 0 1 2 3 FEET

Mark	Description	By	Chk'd	Recm'd.	Date
REVISIONS					

S.R. 0058 PREVIOUSLY KNOWN AS L.R. 00073
BMS STR ID: 43-0058-0770-0115 MPMS/ECMS PROJ: 58003 BRKEY: 25680

**COMMONWEALTH OF PENNSYLVANIA
DEPARTMENT OF TRANSPORTATION**

**MERCER COUNTY
S.R. 0058, SEC. B14
SEGMENT 0770, OFFSET 0115
STA. 166+27.62
OVER WOLF CREEK
SUPERSTRUCTURE REPLACEMENT
PHASING SECTIONS**



RECOMMENDED _____

SHEET _____ OF _____

S -

