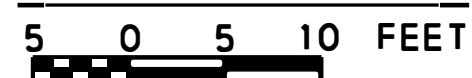


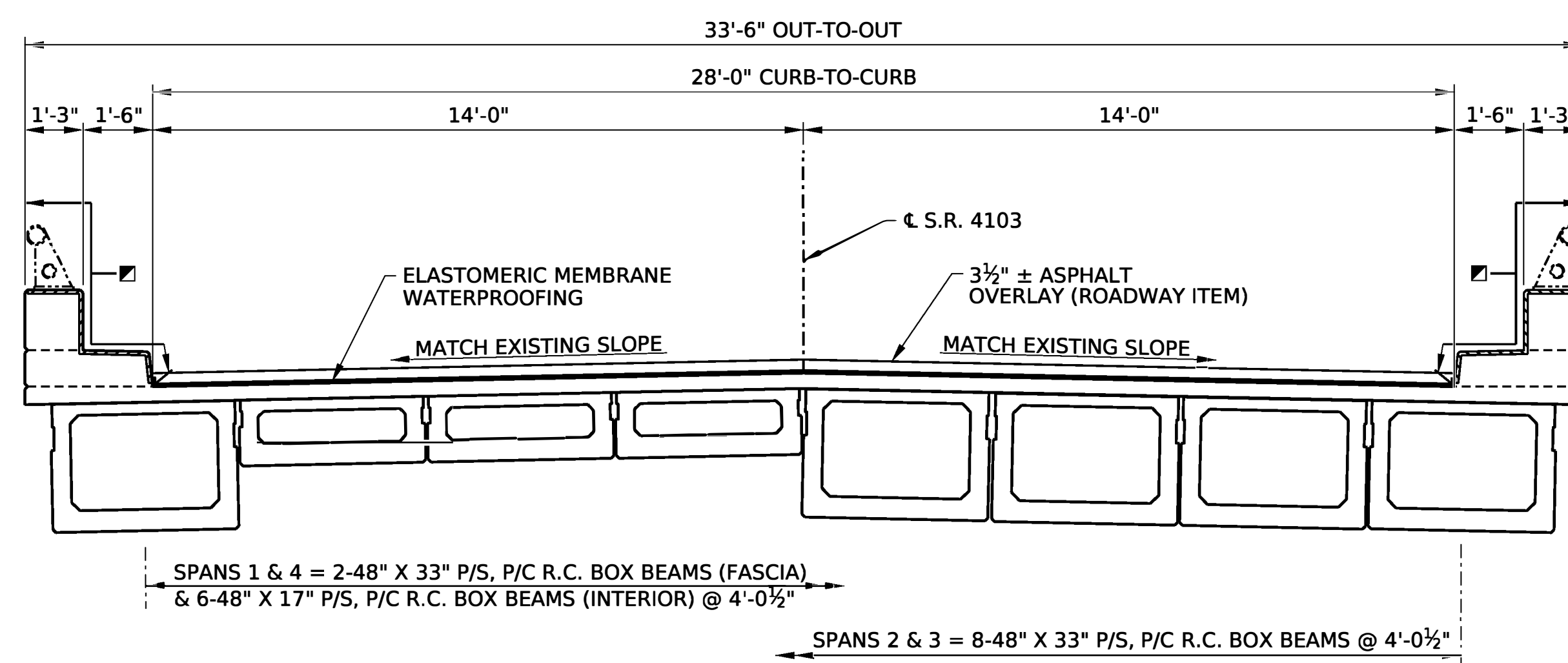
**GENERAL PLAN**



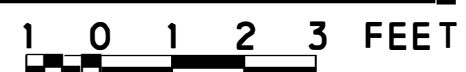
**LEGEND**

- ITEM NO. 5019-0050 PROTECTIVE COATING FOR REINFORCED CONCRETE SURFACES (PENETRATING SEALERS, BRIDGE SUPERSTRUCTURE), SILANE SEALER
- ▲ ITEM NO. 9000-0009 BARRIER MODIFICATION FOR BRIDGE CONNECTION
- △ ITEM NO. 9000-1003 SEAL EXISTING JOINTS IN BRIDGE PARAPET
- ITEM NO. 9000-0500 PIER JOINT ENCASEMENT

**PRELIMINARY  
NOT FOR CONSTRUCTION**



**TYPICAL SECTION**



Mark	Description	By	Chk'd	Recm'd.	Date
REVISIONS					

S.R. 4103 PREVIOUSLY KNOWN AS L.R. 797-6  
 BMS STR ID: 25-4103-0010-0000 MPMS/ECMS PROJ: 72374 BRKEY: 16044

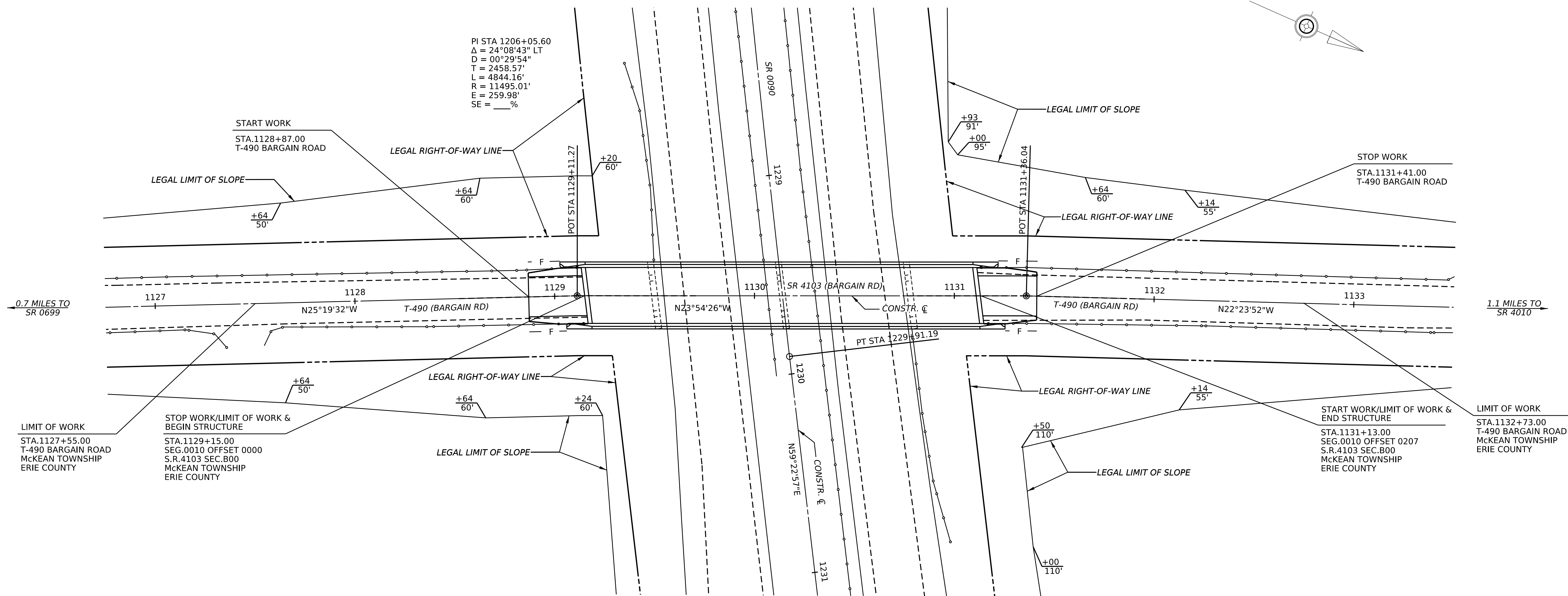
**COMMONWEALTH OF PENNSYLVANIA  
DEPARTMENT OF TRANSPORTATION**

**ERIE COUNTY  
S.R. 4103, SECTION B00  
SEGMENT 0010, OFFSET 0000  
STA. 1130+14.00  
OVER I-79  
BRIDGE PRESERVATION  
PUBLIC INVOLVEMENT PLAN**

PLOTTED: 24-MAY-2023 14:13

OPERATOR: rodunham  
FILE NAME: p:\PDEDPRAPPW01.pennndot.lcl:Connect\_P\Projects\Documents\OpenRoads\_Projects\0125-Erie\25 4103 B00 (72374)\DESIGN\Roadway\CADD Files\254103B00 TITLE SHEETS.dgn

DISTRICT	COUNTY	ROUTE	SECTION	SHEET
1-0	ERIE	4103	B00	7 OF 7
REV NO	REVISIONS	DATE	BY	APPD



**PRELIMINARY  
NOT FOR CONSTRUCTION**

